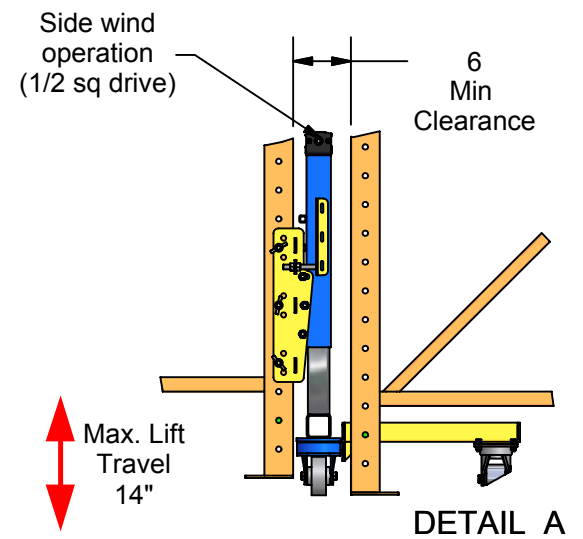
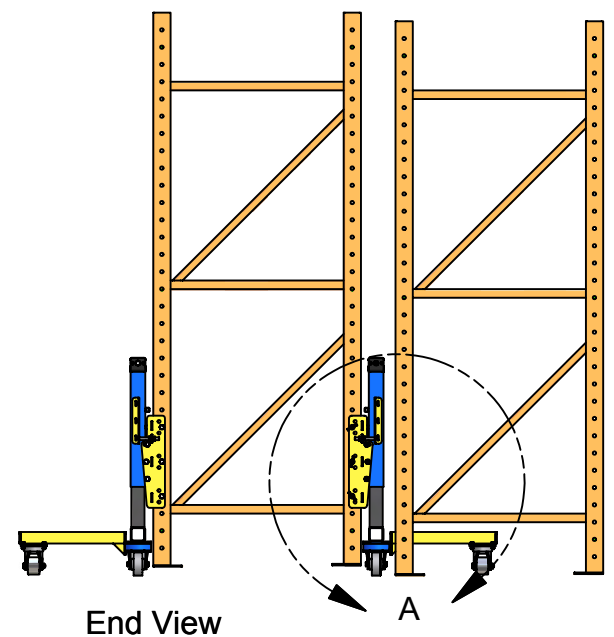
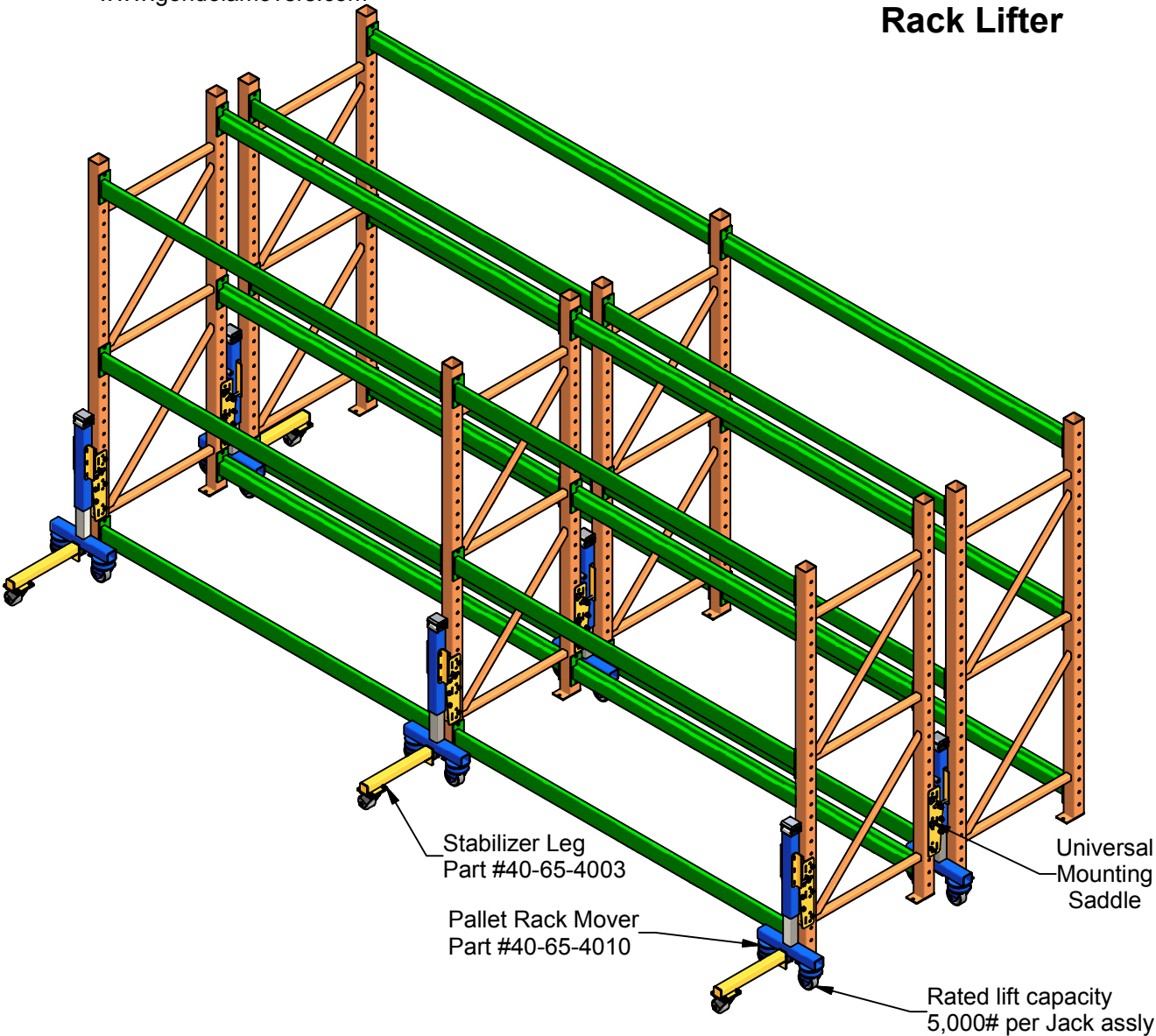


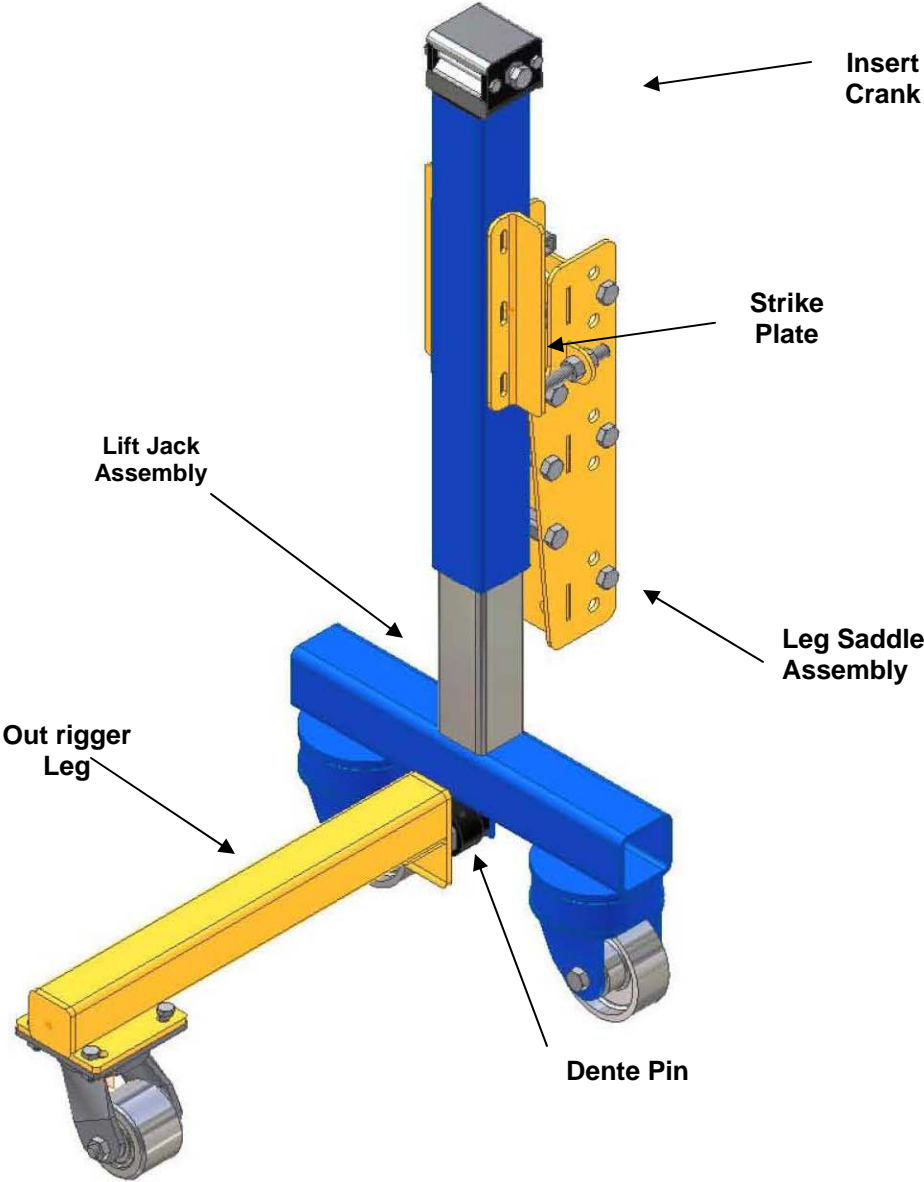


Des Moines, IA 50313
 ph 515-564-1111 fx 515-564-1234
 www.gondolamovers.com

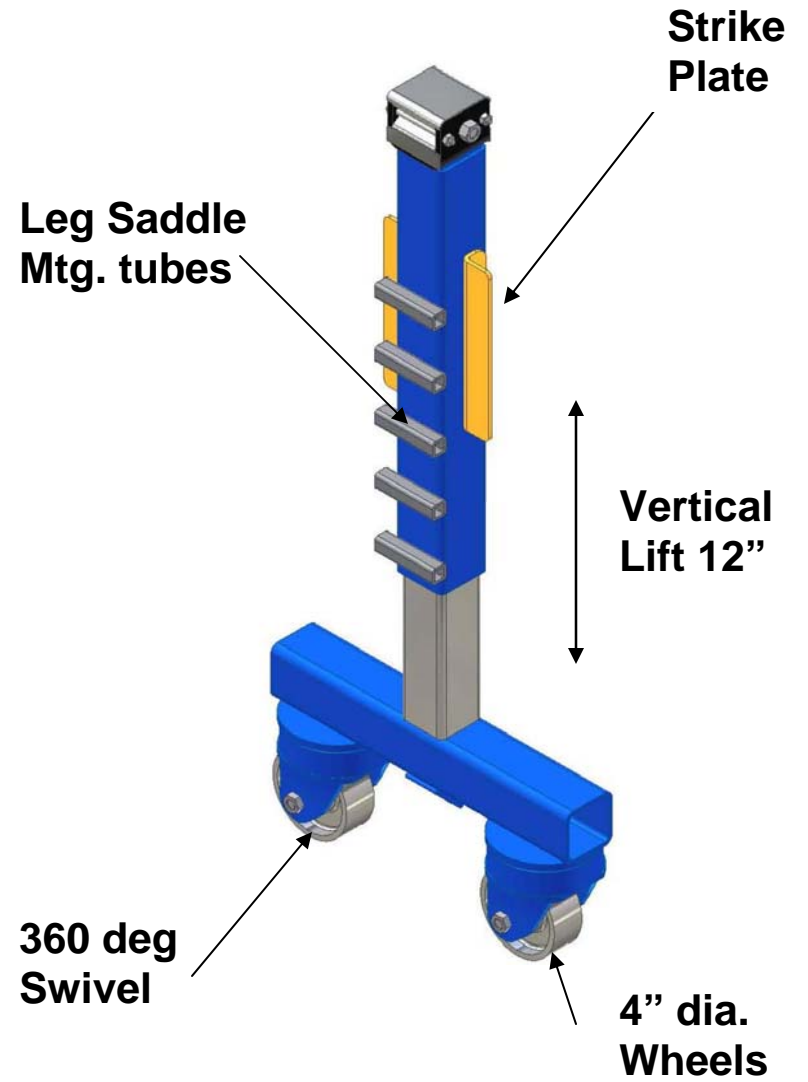
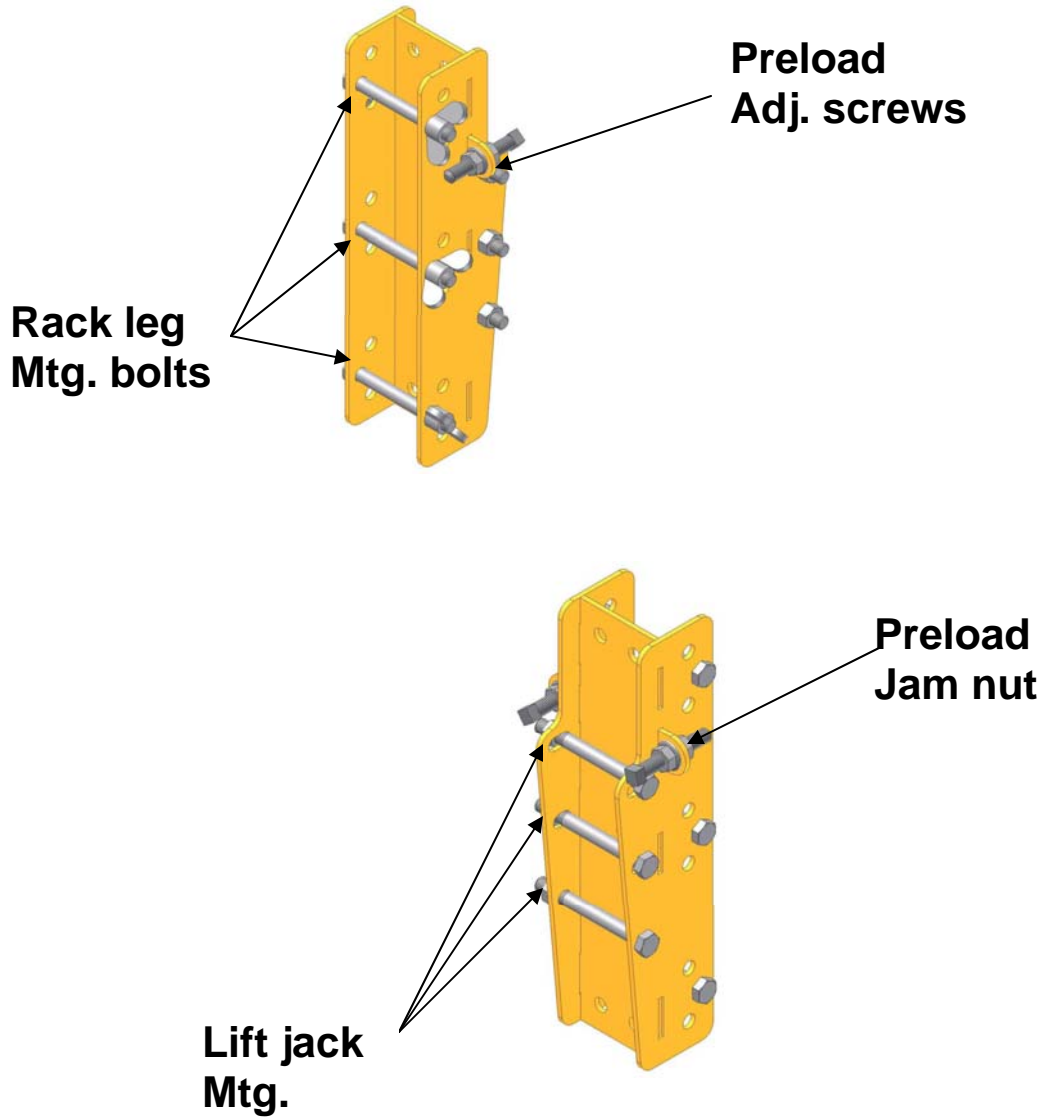
Move
 Lift and / ← → \ Pallet Racking
 using the
**Link 4 Pallet
 Rack Lifter**



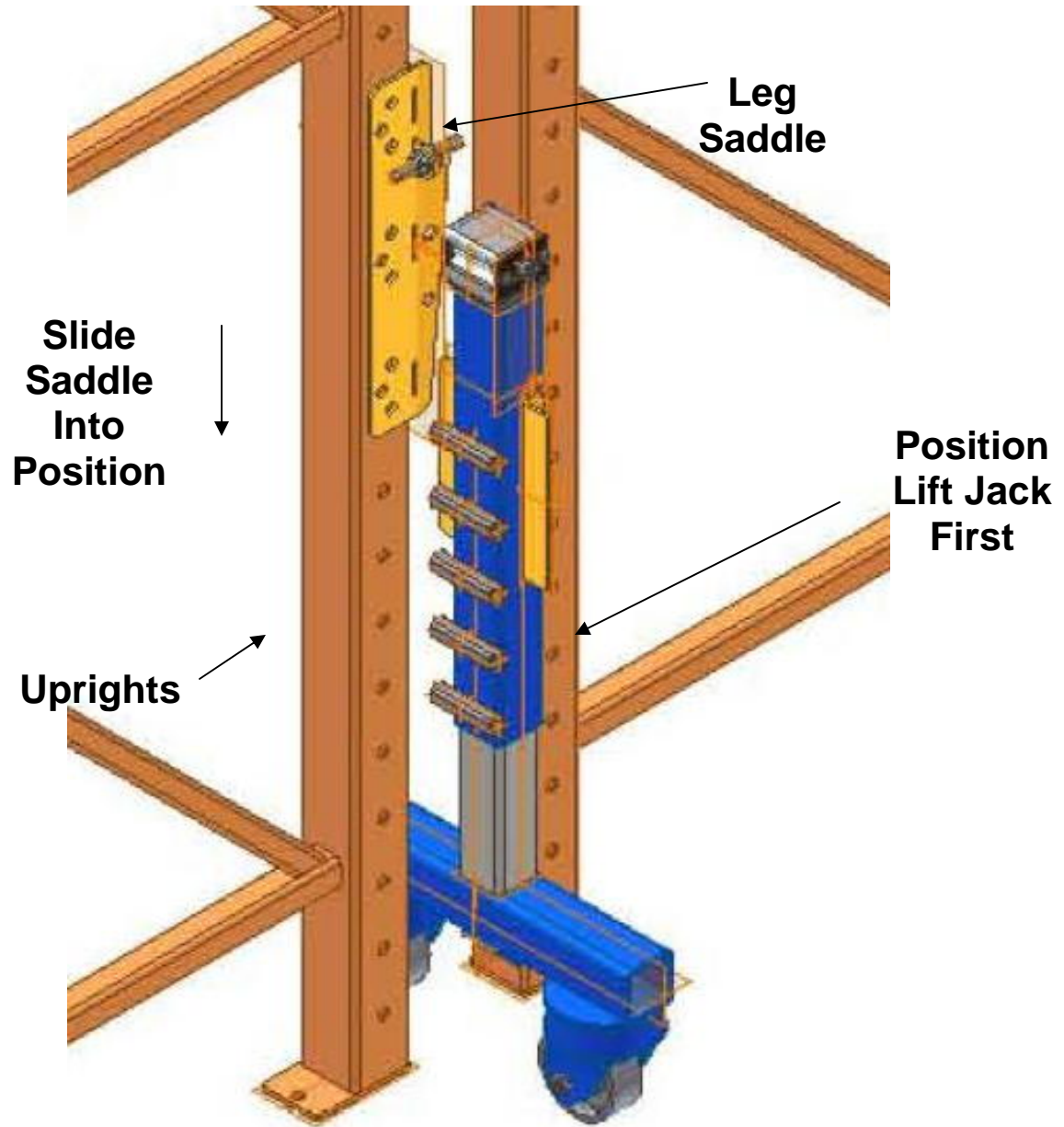
Pallet rack lifter assembly (complete)



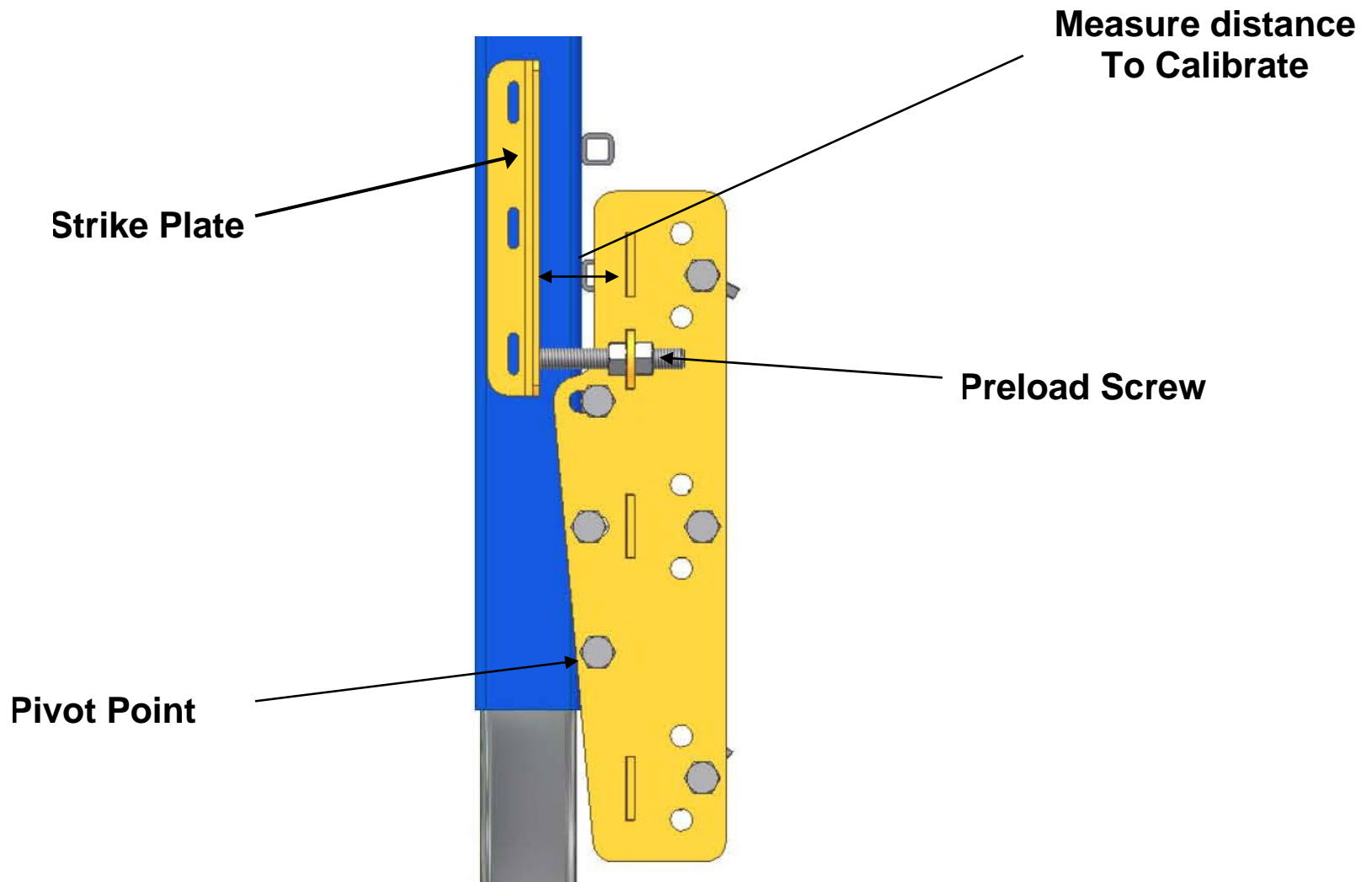
Leg Saddle and Lift Jack



Installation of the Lifter between pallet racks



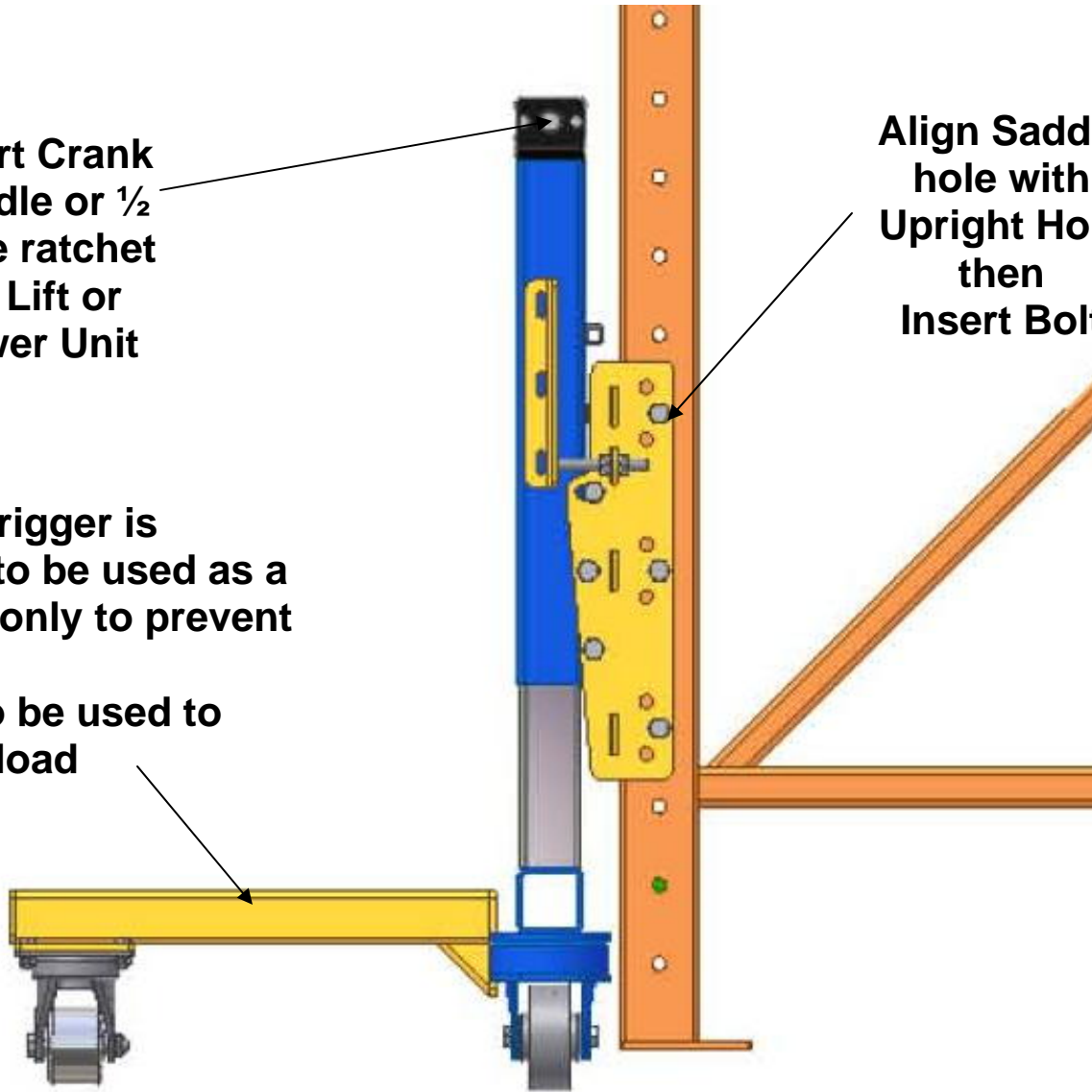
Adjust preload for Saddle and Jack



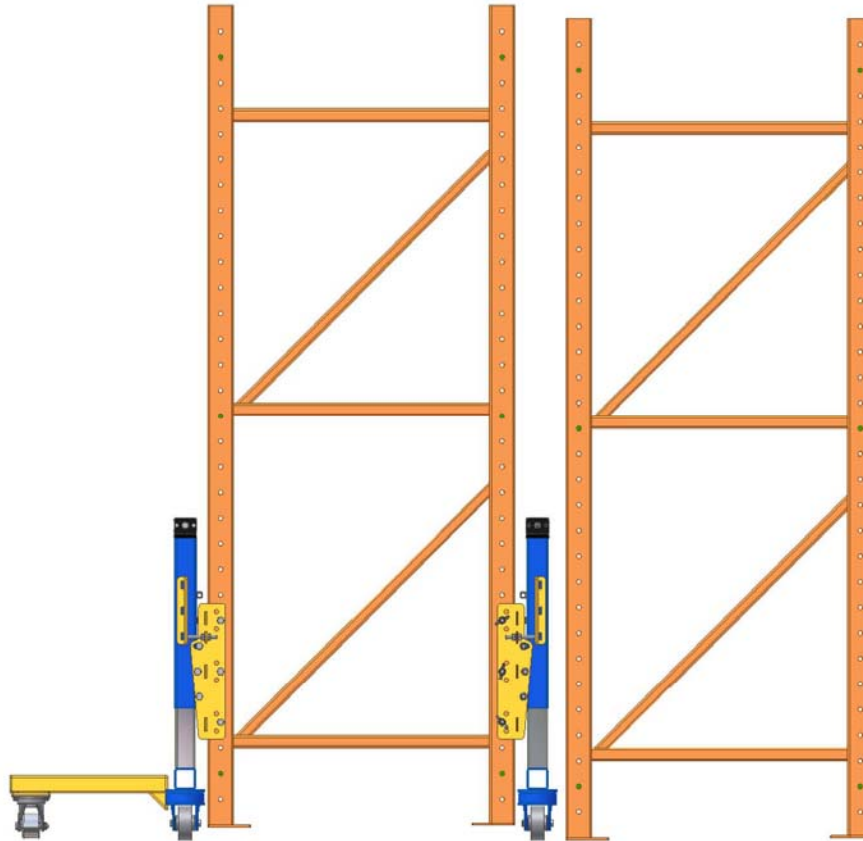
**Insert Crank
Handle or 1/2
drive ratchet
To Lift or
Lower Unit**

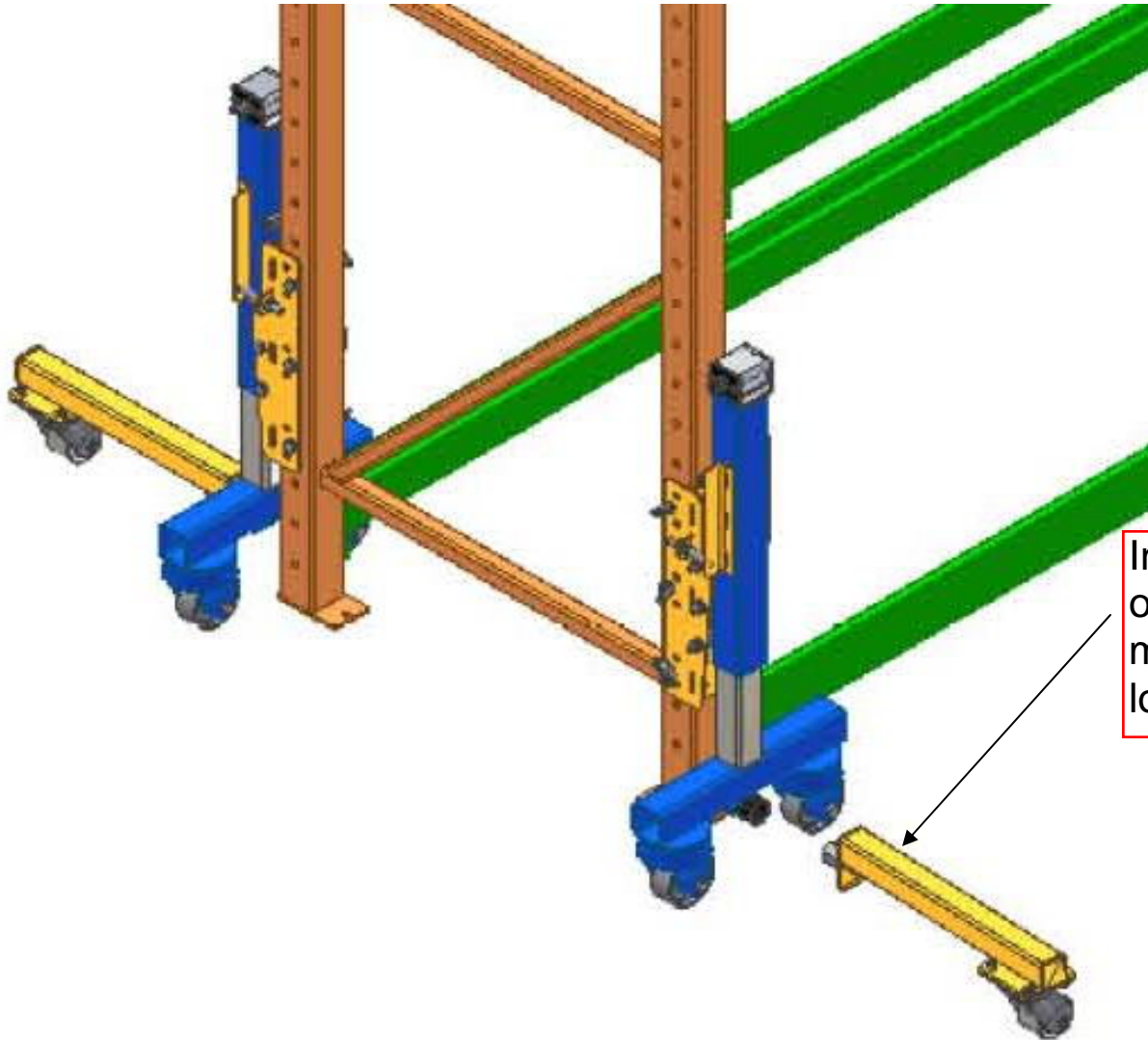
**Align Saddle
hole with
Upright Hole
then
Insert Bolt**

**Note: Outrigger is
intended to be used as a
stabilizer only to prevent
tip over
It is not to be used to
carry the load**



Pallet rack lifters in place with the rack jacked up and ready to move out into the aisle. (Note: stabilizer has been removed in order to place jack within the 6" space.)

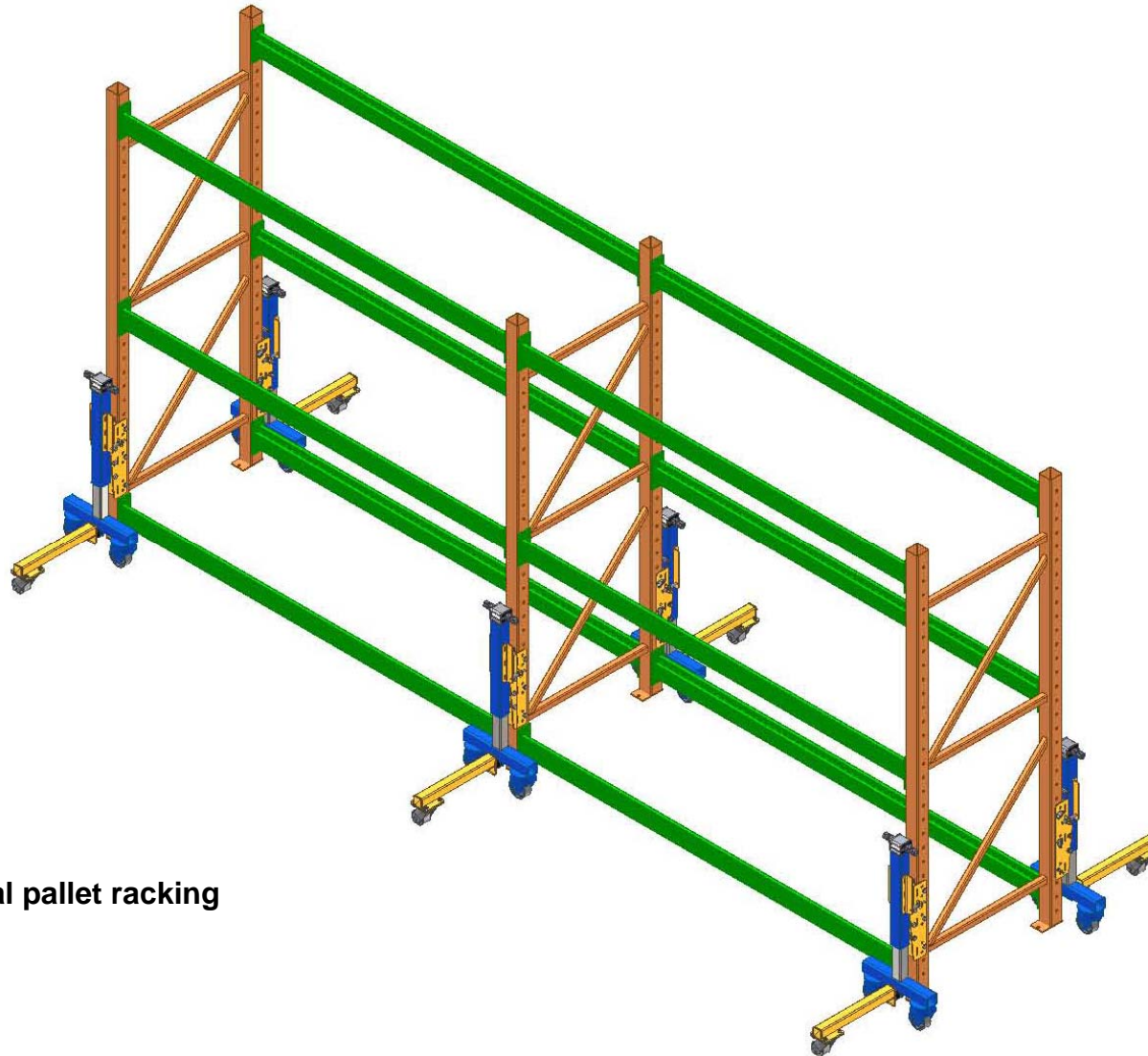




Install stabilizer
outriggers before
moving to new
location

Link 4 Pallet Rack Lifter (PRL) model 5000

(See manual on how to move your pallet racking using the Link 4 Pallet Rack Lifter)



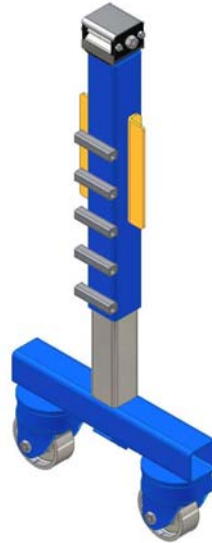
**Typical pallet racking
setup**

Parts List

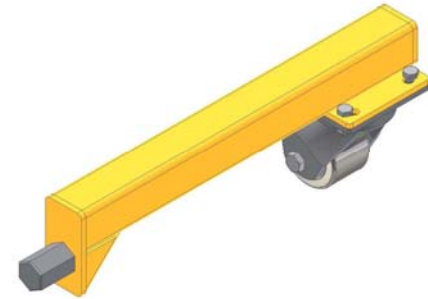
(Please account for all parts and place parts in cabinet when job is completed)



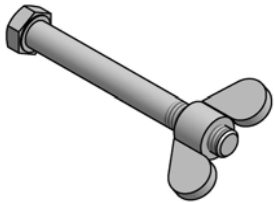
Leg Saddle
Qty 12 each



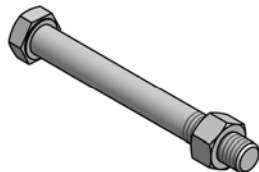
Lift Jack Assly
Qty 12 each



Stabilizer (Outrigger) leg
Qty 12 each



7/16x4 1/2 HHCS & 7/16 Nut
Qty 50 each



1/2x 4 1/2 HHCS & 1/2 Nut
Qty 50 each



3/8 Dente pins
Qty 50 each



Lift Jack Cranks
Qty 4 each



1/2 d rive Cranks
Qty 2 each